

## ClearSpan™ Raised Bed Kits



Photo may show a different but similar model.

STK#	DIMENSIONS	TIERS
106457	4' W x 8' L	1
106458	4' W x 16' L	1
106459	4' W x 24' L	1
106460	4' W x 8' L	2
106461	4' W x 16' L	2
106462	4' W x 24' L	2
106463	4' W x 8' L	3
106464	4' W x 16' L	3
106465	4' W x 24' L	3

©2019  
 All Rights Reserved. Reproduction  
 is prohibited without permission.



WARNING: Cancer and Reproductive Toxicity - P65Warnings.ca.gov



### READ THIS DOCUMENT BEFORE YOU BEGIN

Thank you for purchasing this raised bed kit. These instructions include helpful hints and important information needed to safely assemble and properly maintain the raised bed. Please read these instructions *before* you begin.


### SAFETY PRECAUTIONS

- Wear eye protection.
- Use a portable GFCI when working with power tools and cords. (Using battery-powered hand tools is recommended.)
- Do not climb on the raised bed frame during or after construction.

### SITE

After choosing a location, proper preparation of the site is essential. The following site characteristics are recommended:

- For best results, assemble on a level site. Set the side boards of the raised bed into the grade as needed to keep the assembled bed level.
- Drainage: To prevent erosion, position the raised bed away from buildings or other structures that may direct water to drain toward and around the bed.

 **WARNING:** For safety reasons, those who are not familiar with recognized construction methods and techniques must seek the help of a qualified contractor.

### REQUIRED TOOLS

The following list identifies the main tools and items needed to assemble the raised bed kit. *Additional tools may be needed depending on location and application.*

- Saw to cut plastic lumber (for custom designs).
- Hammer or mallet, gloves, shovels, and tape measure.
- Carpenter's square and additional hand tools as needed.
- String line and wood stakes (for beds > 16').

### UNPACK AND IDENTIFY PARTS

The following steps will ensure that you have all the necessary parts **before** you begin to assemble the raised bed kit.

1. Unpack the contents of the box or boxes and place them where you can easily inventory the shipment. Refer to the Bill of Materials/Spec Sheets.
2. Verify that all parts listed on the Bill of Materials/Spec Sheets are present. If you have questions or if parts are missing, contact customer service.

### CARE AND MAINTENANCE

Proper care and maintenance of your raised bed is important. Check these items periodically for best results:

- Check all caps, brackets, and locking nubs to verify that they remain intact and in place.
- Verify that all connections and fittings are secure and in good condition. Repair or replace if necessary.
- Do not climb or stand on the bed frame at anytime.
- If the raised bed is disassembled and moved, inspect all parts *before* reassembling.
- Replace broken or damaged parts immediately.
- For replacement or missing parts, call 1-800-245-9881 for assistance.

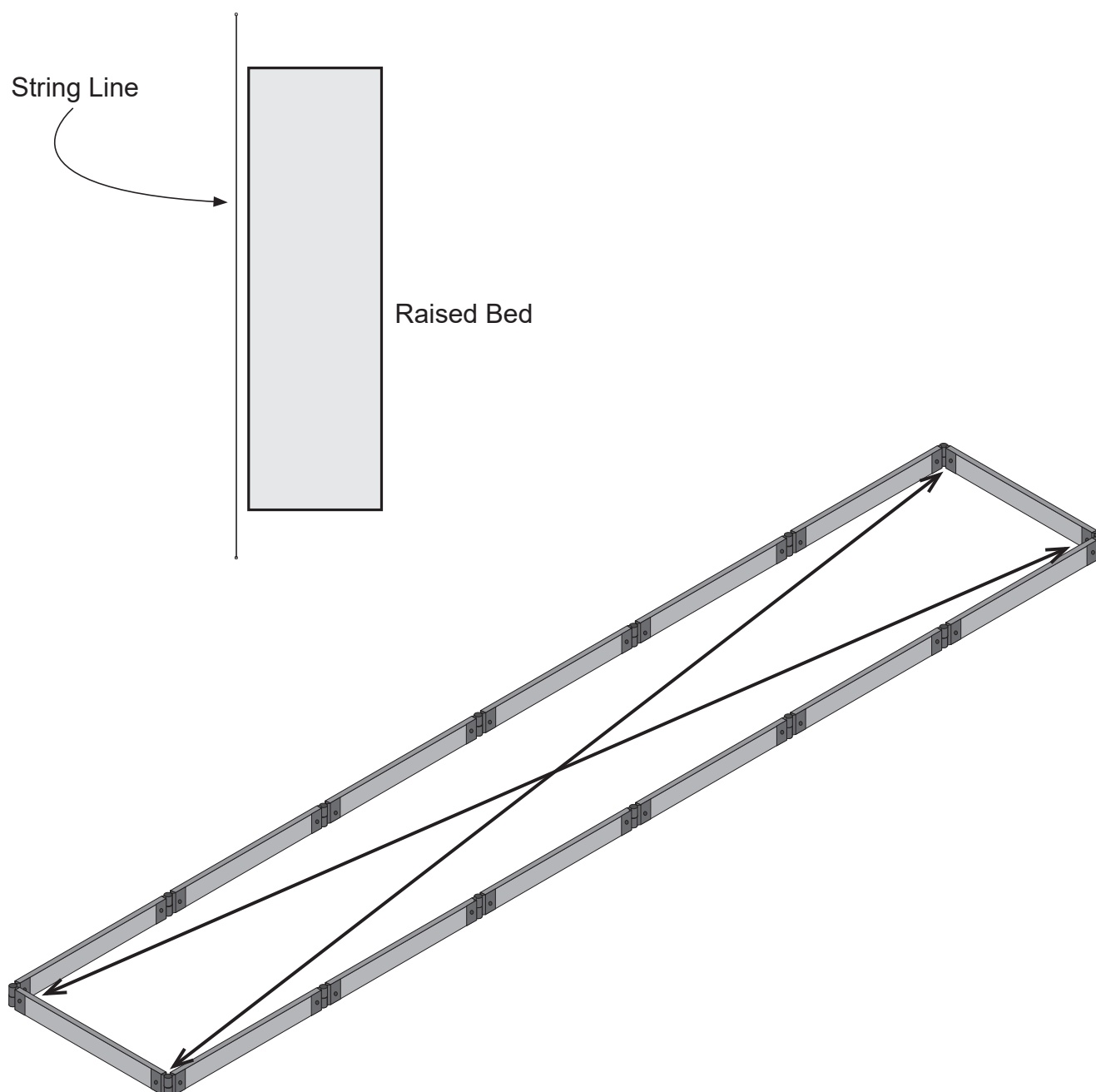
## SQUARE THE BED

Squaring the raised bed applies to designs that have four (4) right angles (90°). For designs consisting of variable angles, use an angle-measuring instrument (if possible) to verify that angles opposite each other are the same.

1. For raised beds up to and including 16' in length, simply use a carpenter's square to verify that each corner is 90°. For beds longer than 16', consult Step 2.
2. With the bed in the desired position, measure diagonally from corner-to-corner and adjust bed until both distances are equal.

**NOTE:** For longer beds, use a string line staked at both ends along the side of the raised bed to keep the sides aligned and parallel.

3. Once the distances are equal, continue with the bed kit assembly.



## RAISED BED KITS

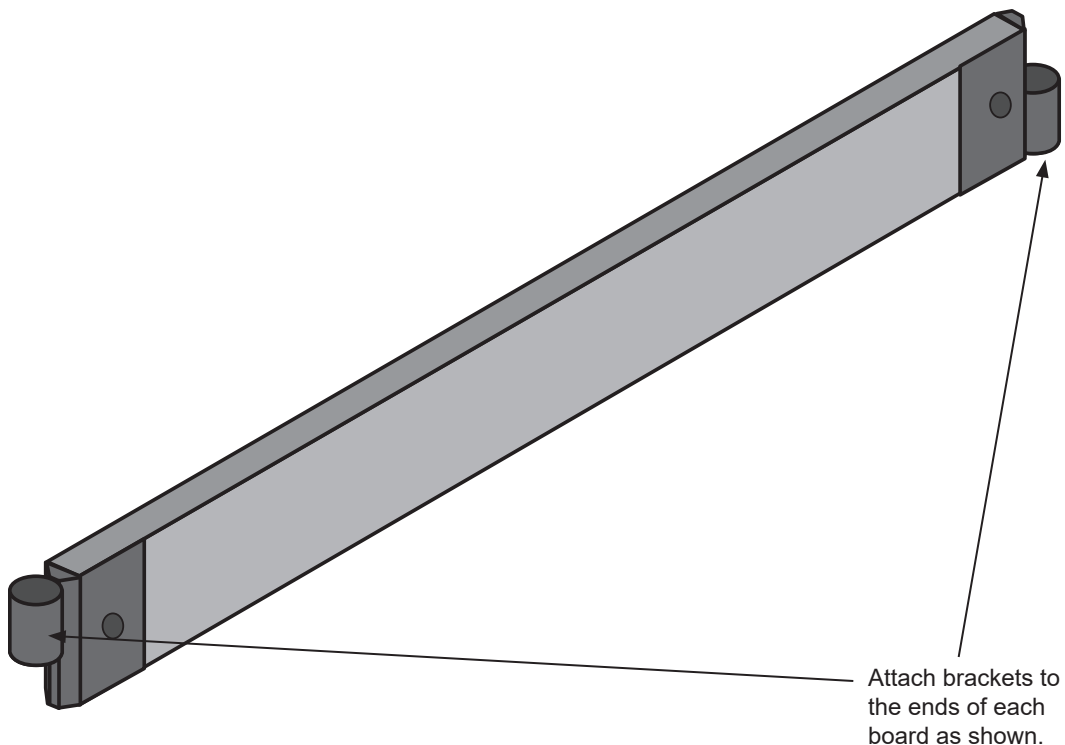
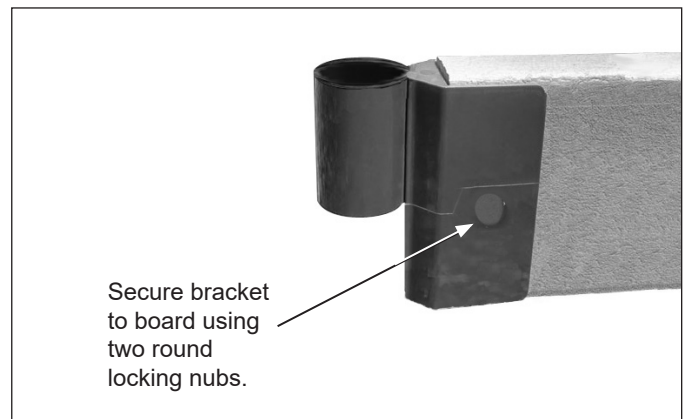
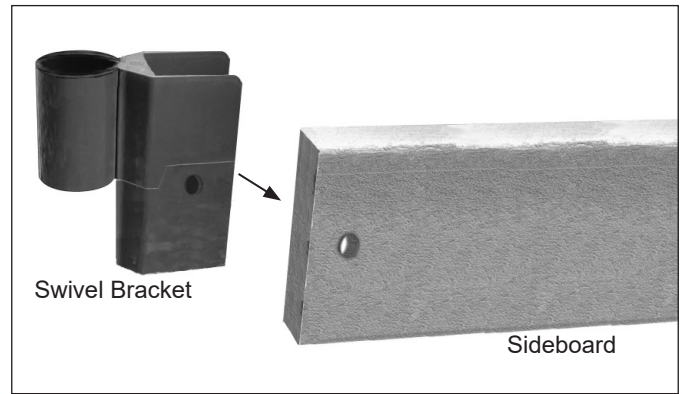
### ASSEMBLE BED KIT COMPONENTS

After identifying the parts included with the shipment, assemble the bed kit using the general steps below.

**NOTE:** The shapes of raised beds vary and depend on overall design and preference. These instructions describe assembling bed kits as 4' x 8', 4' x 16', or 4' x 24' rectangles.

For custom shapes, use these instructions for basic assembly steps and details, and adapt them to your raised-bed design.

1. Determine and design the shape and height of your raised bed based on the kit (or kits) that were purchased.
2. Measure and level the site and verify that ample space is present for your design.
3. Slide a bracket onto the end of one composite board and align mounting holes.
4. Secure bracket to board by inserting a round locking nub through the hole on each side of the bracket. Tap with mallet to set in place if needed.
5. Take another bracket, flip as shown below, and attach it to the other end of the board.
6. Repeat the above steps for each composite board.



ASSEMBLING THE BED KIT COMPONENTS (CONTINUED)

7. Layout and adjust your design. Align boards so brackets interlock as shown. If applicable, square the bed kit.  
**Consult the Squaring the Bed instructions presented earlier.**

8. Once desired layout is achieved, boards are level, **and raised bed is square**, slide stakes through the holes in the interlocked brackets and drive into ground until tops are level with the composite boards.

**ATTENTION:** If the raised bed is a multi-tiered design, slide a second stake into the top of each installed stake (7a). Slide a second tier of sideboards over the stakes (7b). Repeat for additional tiers.

9. Once bed kit is assembled, insert the supplied stake caps into the tops of the stakes until they snap in place. Tap with a mallet if needed.

